



# DOORWAY

**GRP Composite Door Slabs And Components**

**Doorway Products Ltd**

2 Avery Trading Estate  
Kenwood Road  
North Reddish  
Stockport  
SK5 6PH

Tel:- 0161 442 3372

Fax:- 0161 442 2084

Email:- [sales@doorwayproducts.co.uk](mailto:sales@doorwayproducts.co.uk)  
[www.DoorwayProducts.co.uk](http://www.DoorwayProducts.co.uk)

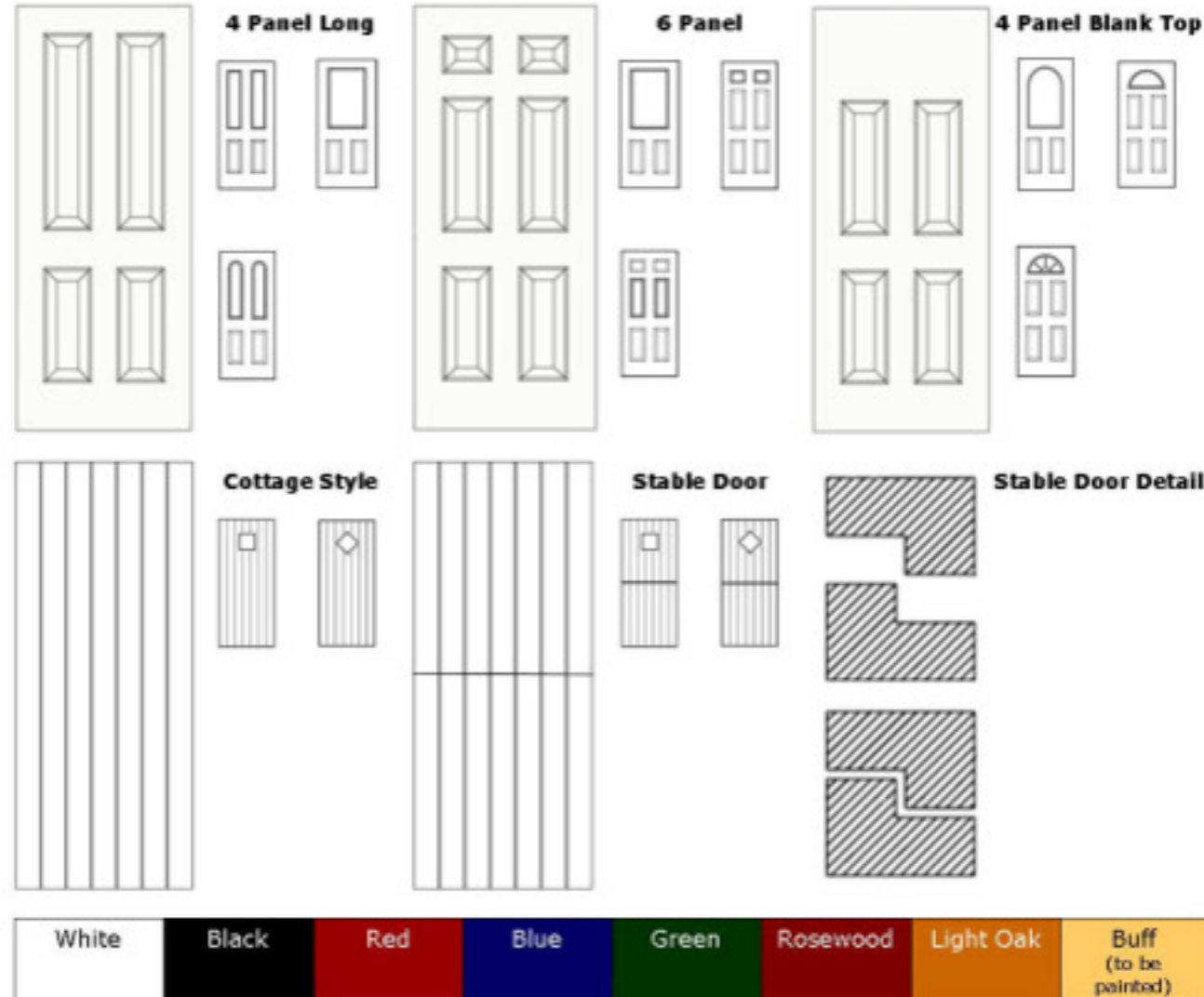


# DOORWAY

Doorway Products Ltd, Unit 2, Avery Trading Estate,  
Kenwood Road, North Reddish, Stockport, SKS 6PH  
Tel:- 0161 442 3372 Fax:- 0161 442 2084  
www.DoorwayProducts.co.uk



## ONE SIZE FITS ALL 44mm GRP COMPOSITE DOOR SLAB

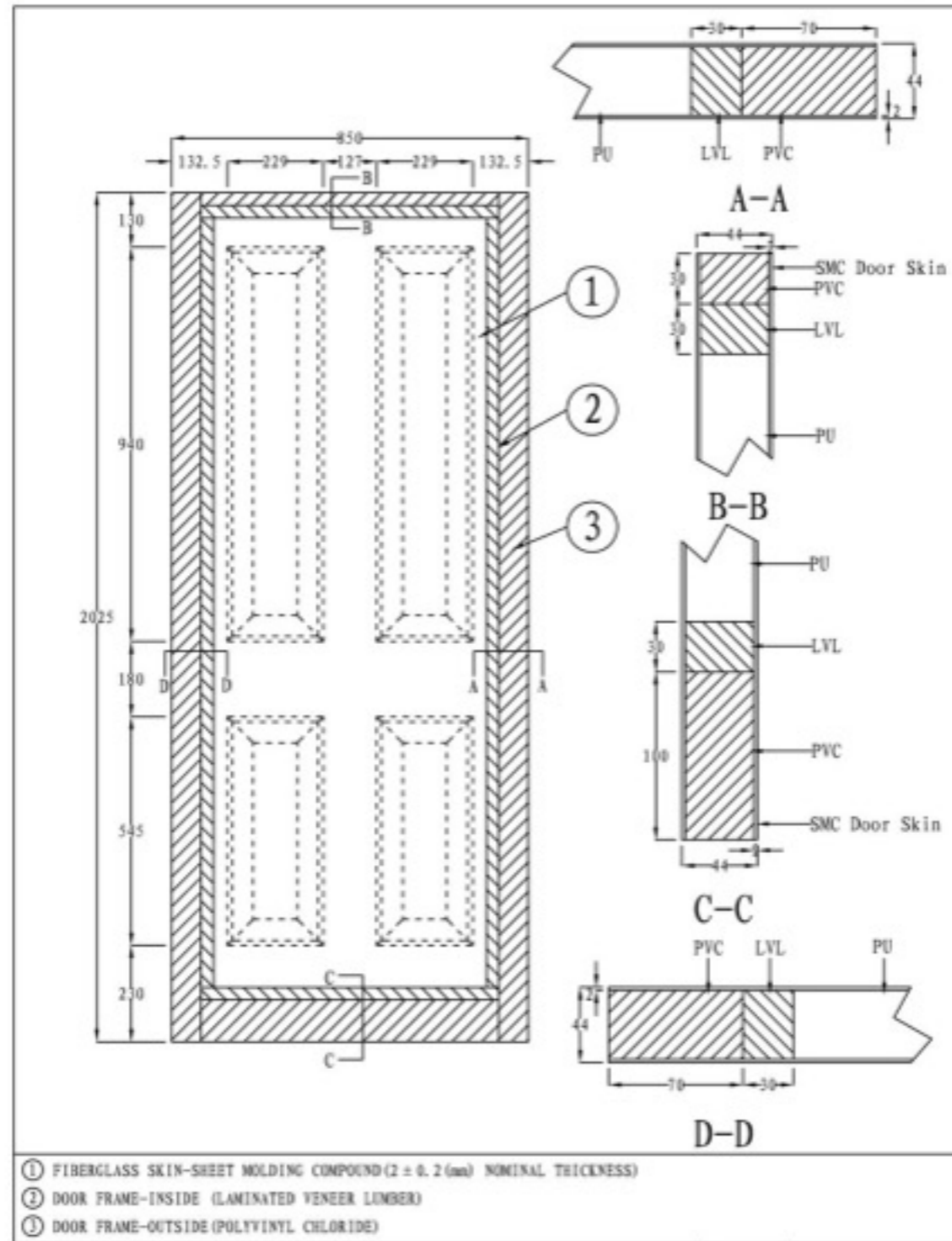


- **850 x 2025 mm – Machineable to 720 x 1905 mm**  
One Size Fits All = lower stock holding and improved cash flow
- **10 Year Manufacturers Guarantee**  
25 Years plus life expectancy
- **2 mm Thick GRP Skin**  
Stronger and more resilient door
- **7 Colours Plus Buff**  
All Standard colours and stains plus Buff for own spray painting
- **Full Width Slab**  
No sacrificial edges
- **Grained And Smooth Skin Options**  
Choice of finishes to compliment the range of styles



# DOORWAY

Doorway Products Ltd, Unit 2, Avery Trading Estate,  
Kenwood Road, North Reddish, Stockport, SK5 6PH  
Tel:- 0161 442 3372 Fax:- 0161 442 2084  
www.DoorwayProducts.co.uk



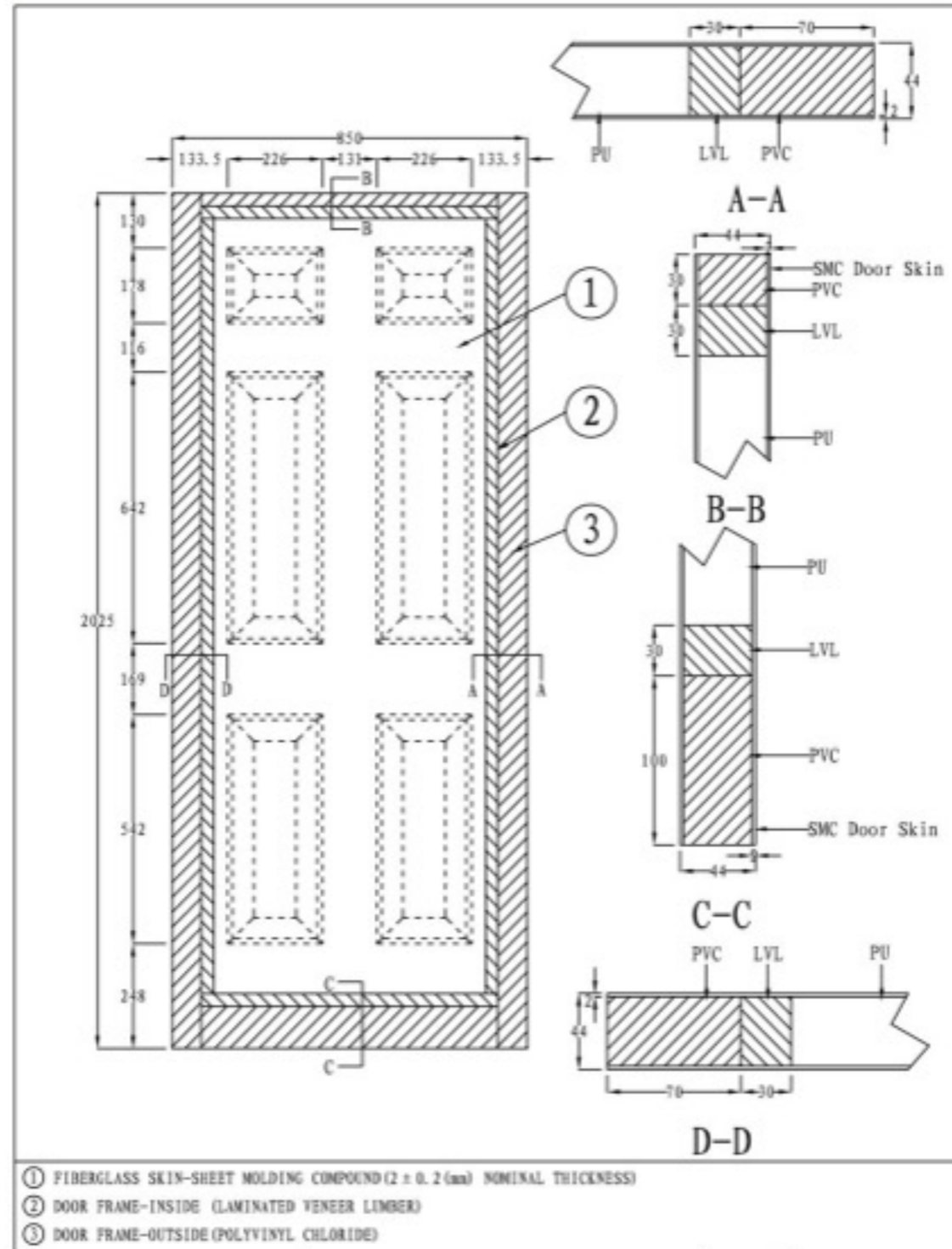
**850 x 2025 mm Doorway 44mm GRP Door Slab**

**4 Panel Long**



# DOORWAY

Doorway Products Ltd, Unit 2, Avery Trading Estate,  
Kenwood Road, North Reddish, Stockport, SK5 6PH  
Tel:- 0161 442 3372 Fax:- 0161 442 2084  
www.DoorwayProducts.co.uk



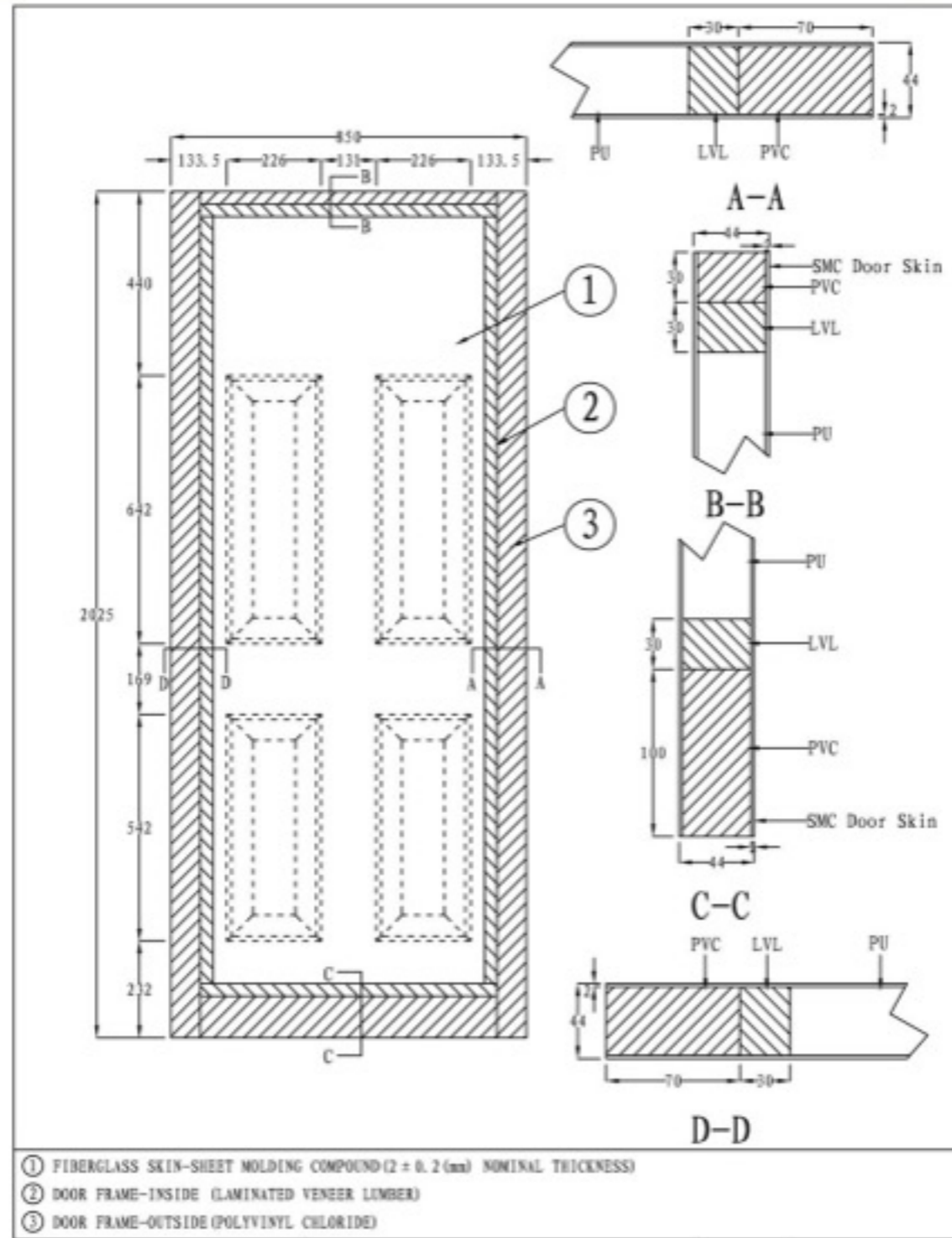
**850 x 2025 mm Doorway 44mm GRP Door Slab**

**6 Panel**



# DOORWAY

Doorway Products Ltd, Unit 2, Avery Trading Estate,  
Kenwood Road, North Reddish, Stockport, SK5 6PH  
Tel:- 0161 442 3372 Fax:- 0161 442 2084



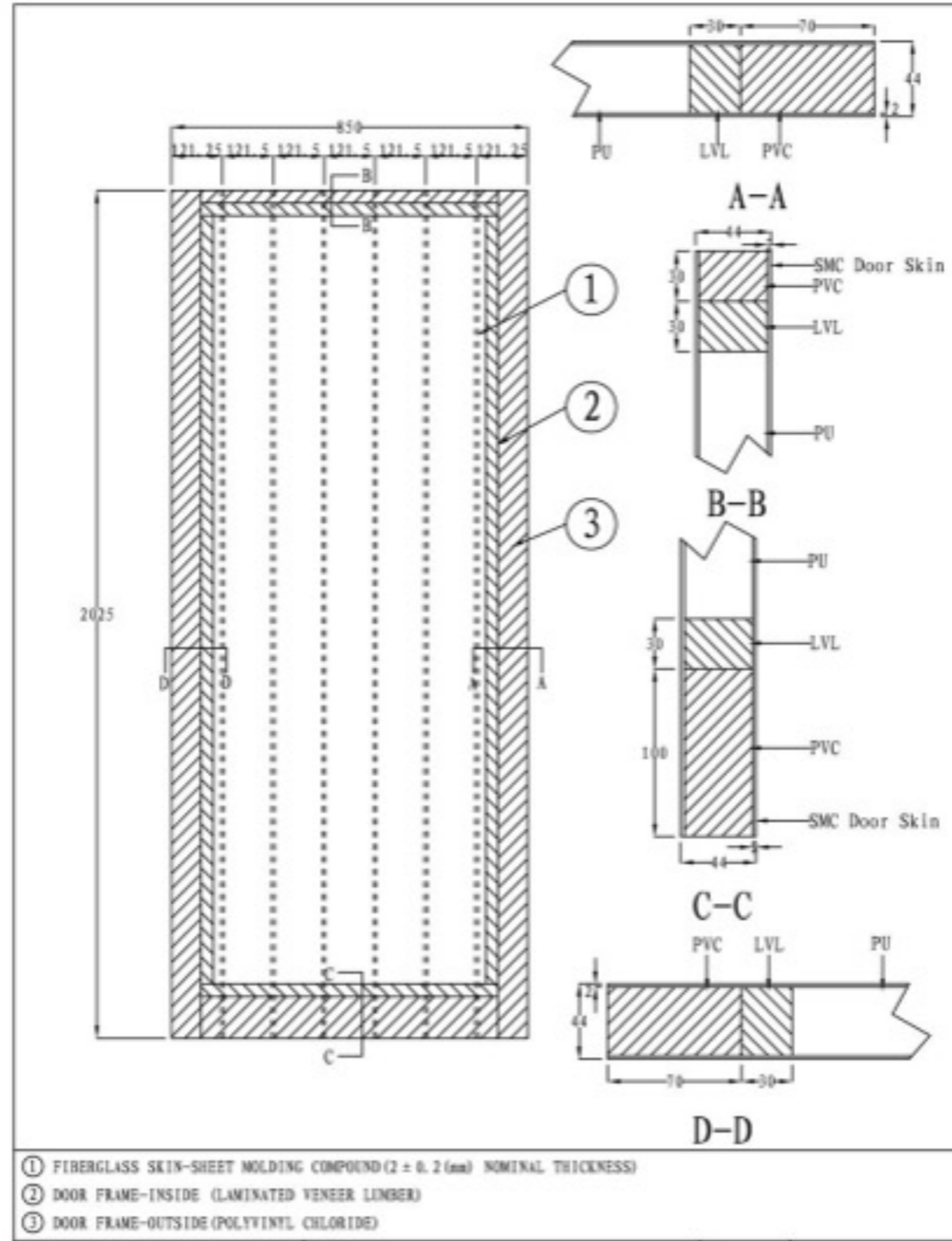
**850 x 2025 mm Doorway 44mm GRP Door Slab**

**4 Panel Blank Top**



# DOORWAY

Doorway Products Ltd, Unit 2, Avery Trading Estate,  
Kenwood Road, North Reddish, Stockport, SK5 6PH  
Tel:- 0161 442 3372 Fax:- 0161 442 2084  
www.DoorwayProducts.co.uk



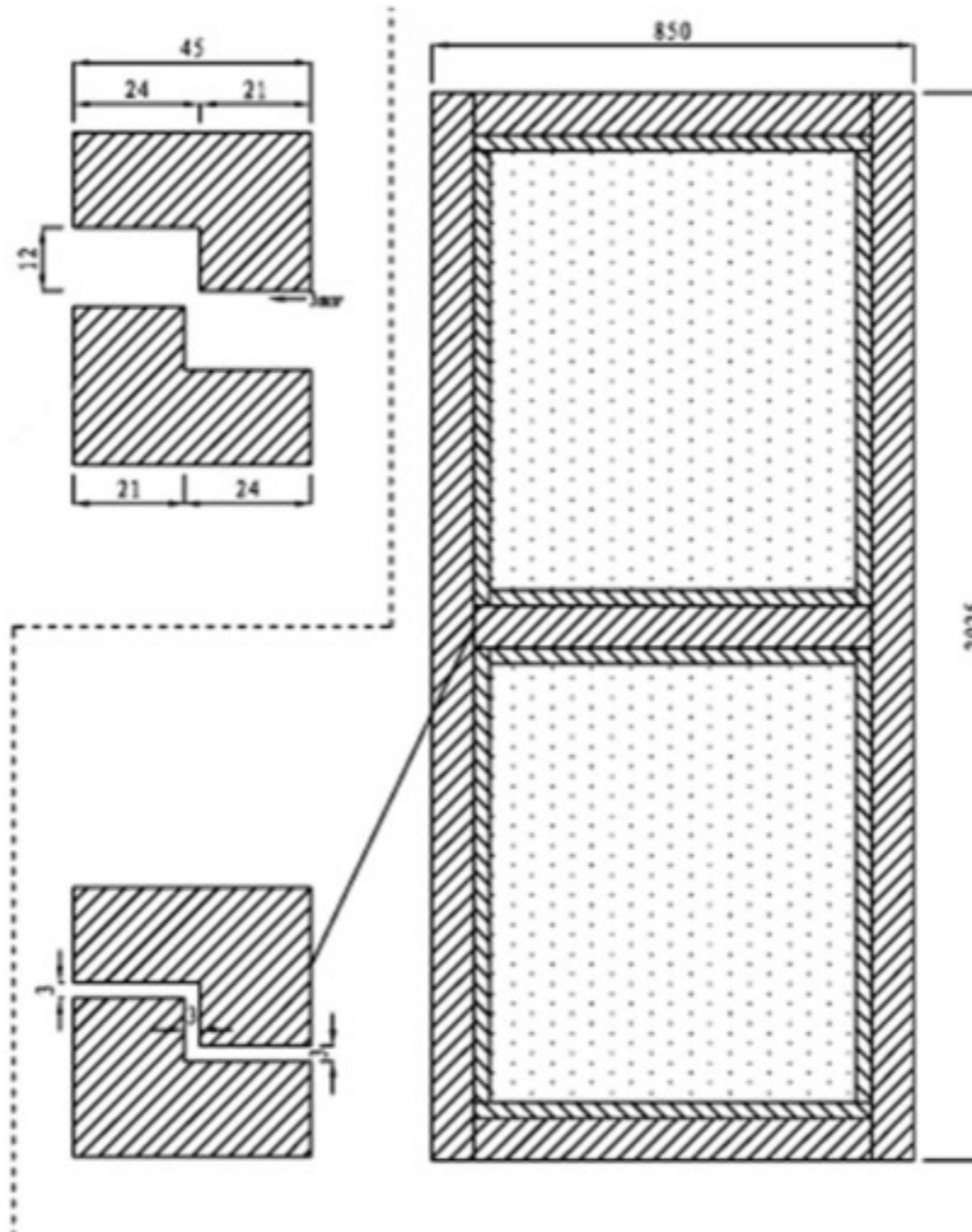
**850 x 2025 mm Doorway 44mm GRP Door Slab**

**Cottage Door / Stable Door**



# DOORWAY

Doorway Products Ltd, Unit 2, Avery Trading Estate,  
Kenwood Road, North Reddish, Stockport, SK5 6PH  
Tel:- 0161 442 3372 Fax:- 0161 442 2084  
www.DoorwayProducts.co.uk



**850 x 2025 mm Doorway 44mm GRP Door Slab**

**Stable Door Detail**



# DOORWAY

Doorway Products Ltd, Unit 2, Avery Trading Estate,  
Kenwood Road, North Reddish, Stockport, SK5 6PH  
Tel:- 0161 442 3372 Fax:- 0161 442 2084  
[www.DoorwayProducts.co.uk](http://www.DoorwayProducts.co.uk)

